

# Luyt Anchor Handling Towing winches | type *AHT*

Luyt has developed a program for anchor handling and towing (AHT) winches. These winches are designed as equipment on Tugboats. The international standard ISO 7365 is the guideline for the design of the winches. The winches can also be delivered as tailor-made to customer requirements.

## Standard features

The **AHT** winches are double drum winches in waterfall configuration with the following features:

- Towing drum with spooling device
- Free wheel function
- Quick release function
- Local and bridge panel
- Dog clutches
- Warping head
- Hydraulic driven

## Drives

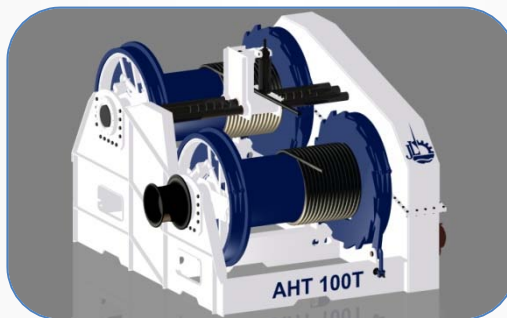
The drive systems for **AHT** winches:

- Electric driven (type **AHT-E**)
- Hydraulic driven (type **AHT-H**)
- Diesel driven (type **AHT-D**)

## Optional features

The **AHT** winches can be delivered with the following optional features:

- Anchor drum with spooling device
- Load and length measuring device
- Tailor made design to customer requirements



**LUYT GROEP**

Nijverheidsstraat 1  
P.O. box 1  
1779 ZG Den Oever  
The Netherlands

Tel. +31 (0)227 51 23 41  
Fax +31 (0)227 51 21 48  
info@luytgroep.nl  
www.luytgroep.nl

[www.luytgroep.nl](http://www.luytgroep.nl)